

FISHER & PAYKEL

SPECIFICATION GUIDE

INTEGRATED SINGLE DISHDRAWER™ DISHWASHER, SANITISE SERIES 9, INTERGRATED STYLE



OVERVIEW

A compact size to fit anywhere, room to wash a half load and less bending.

MODELS

Integrated Single DishDrawer™ Dishwasher, Sanitise
Panel Ready
DD60SI9

Integrated Single DishDrawer™ Dishwasher, Sanitise
Panel Ready
DD60SHI9

SERIES & STYLE

Series 9
Integrated Style

FEATURES

- ① Customise with your own kitchen cabinetry or purchase our stainless steel door panel accessory
- ② Six wash program, from delicate to heavy to suit any load
- ③ Additional Quick wash, Sanitise and Extra Dry options
- ④ Can be positioned at bench height, for easy of loading and minimal bending.
- ⑤ Flexible racking can be folded down to fit bigger dishes
- ⑥ Spray arm sensing, for a more reliable wash
- ⑦ With soft-close mechanism and knock-to-pause function

ACCESSORIES

- ① Optional contemporary square handle kit
- ② Optional contemporary round handle kit
- ③ Optional stainless steel door kit
- ④ Cutlery basket
- ⑤ Knife clip and multipurpose clip

FISHER & PAYKEL

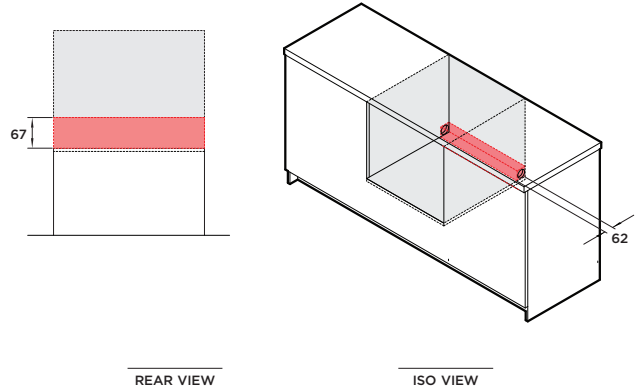
SPECIFICATION GUIDE

INTEGRATED SINGLE DISHDRAWER™ DISHWASHER, SANTISE SERIES 9, INTERGRATED STYLE

SPECIFICATIONS

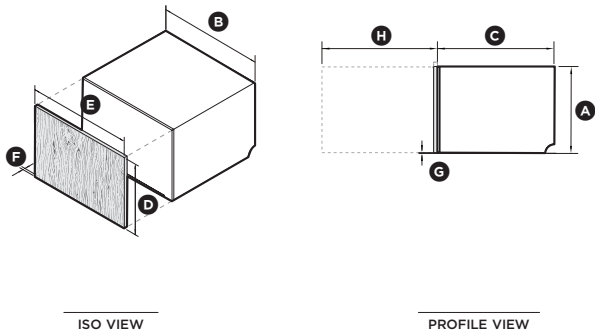
Model No.	DD60SI9, DD60SHI9
Dimensions	H 454mm x W 599mm x D 571mm
Electrical	
Supply	220 240V, 50Hz
Service	4.2A
Receptacle	3 pin earthing-type
Plumbing	
Supply	3/4" BSP (GB20) to suit flat washer
Pressure	Water softener models: max. 1 MPa (145 psi), min. 0.1 MPa (14.5 psi) Non-water softener models: max. 1 MPa (145 psi), min. 0.03 MPa (4.3 psi)

PLUMBING AND ELECTRICAL

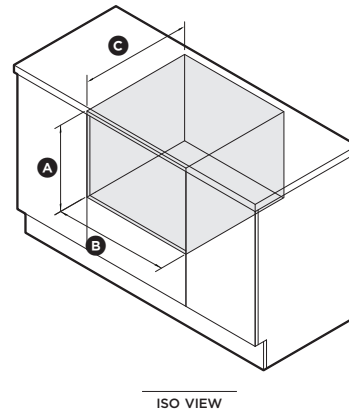


Service outlet at rear extends both sides, hoses and cords can be routed to either or both sides

PRODUCT DIMENSIONS



CAVITY DIMENSIONS: STANDARD INSTALLATION



	mm
(A) Overall height of chassis*	410
(B) Overall width of chassis*	599
(C) Overall depth of chassis*	553
(D) Minimum height of custom front panel	408
(E) Width of custom front panel	596 - 615
(F) Depth of custom front panel	16 - 20
(G) Height of gap below front panel	min 2
(H) Depth of open drawer	527

*Does not include custom front panel

	mm
(A) Overall height	min 412
(B) Overall width	600
(C) Minimum overall depth of cavity*	579

*Assumes a door panel thickness of 19mm